



МАРТ

Е-МАРТ  
ВАШ ПОСТАВЩИК  
ZKTECO

<https://emart.su/brands/zkteco/>

Федеральный	8 800 511-77-41
Санкт-петербург	8 812 426-99-66
Москва	8 495 137-99-67
Краснодар	8 861 205-62-66

[www.emart.su](http://www.emart.su)

[mail@emart.su](mailto:mail@emart.su)

# FPV10M

USB Finger Vein Module

High accuracy  
of the verification



## Overview

FPV10M is an optical technology based hybrid biometric verification finger vein module developed by ZKTeco. The device integrates fingerprint and finger vein collection functions, and supports live detection and verification functions, with high adaptability and security.

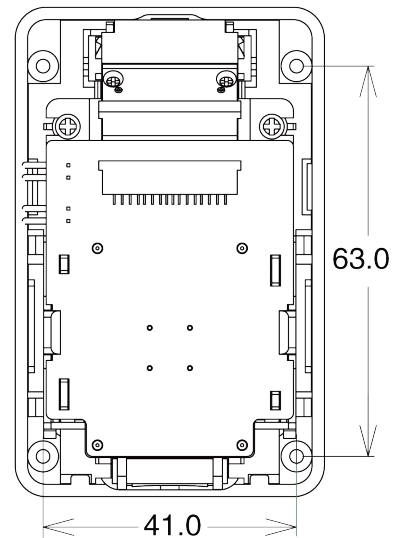
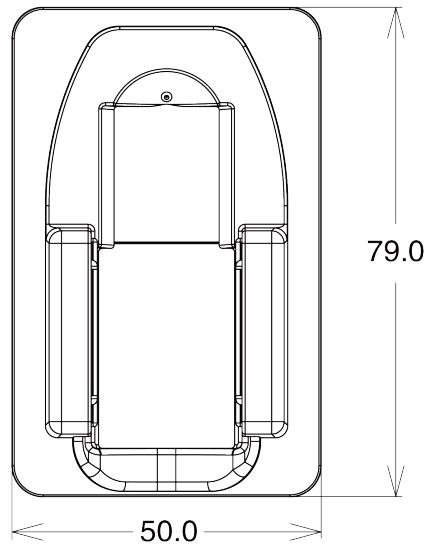
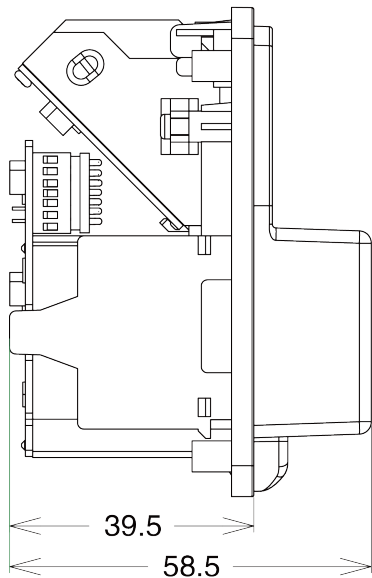
## Features

- Live detection function
- Hybrid biometrics functions supports fingerprint and finger vein recognition
- Built-in ZKTeco fingerprint and finger vein recognition algorithm with excellent FAR / FRR performance
- Provides complete SDK development kit for Windows, Linux and Android operating systems
- Supports USB 2.0 communication

# Specifications

Material	Optical
Effective Collecting Area	13.24*15.7mm
Image Size	256*360pixel / 240*320pixel
Image Resolution	500dpi / 300dpi
Gray Level	256
Interface Socket	USB Type A
Communication	USB 2.0 / USB1.1
Operating System	Windows/Linux/Android
Power Voltage	4.8V~5.5V (USB)
Operating Environment	-20 °C ~ +50 °C; 90% r.h.
Module Size	79*50*58.5mm (L*W*H)

# Configuration



ZKTECO CO., LTD.  
E-mail: sales@zkteco.com  
www.zkteco.com

© Copyright 2017. ZKTECO CO., LTD. ZKTeco Logo is a registered trademark of ZKTeco or a related company. All other product and company names mentioned are used for identification purposes only and may be the trademarks of their respective owners. All specifications are subject to change without notice. All rights reserved.

