



МАРТ

Е-МАРТ
ВАШ ПОСТАВЩИК
ZKTECO

<https://emart.su/brands/zkteco/>

Федеральный	8 800 511-77-41
Санкт-петербург	8 812 426-99-66
Москва	8 495 137-99-67
Краснодар	8 861 205-62-66

www.emart.su

mail@emart.su



TS2000 Pro Series

TS2000 Pro Tripod Turnstile

TS2011 Pro Tripod Turnstile
(w/ controller and RFID reader)

TS2022 Pro Tripod Turnstile
(w/ controller and combination of fingerprint & RFID reader)

Our Pro series tripod turnstiles represent classic and safe way to protect your premises. They are used in various indoor environment applications. They fit perfectly as an economical option in the office buildings and other related applications.



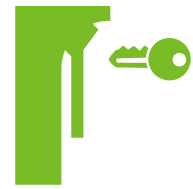
Access Control System



Fingerprint Recognition



Drop-arm



Mechanical Unlocking

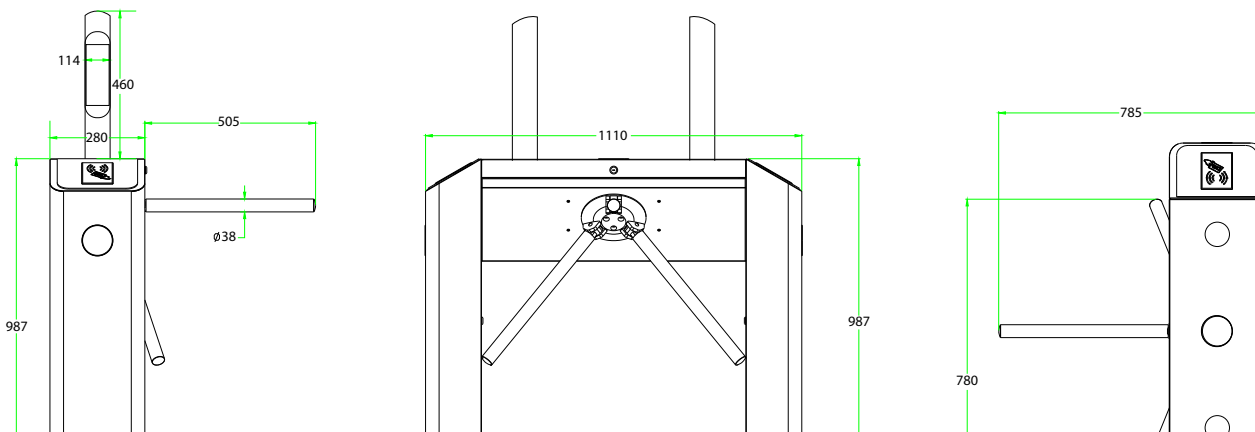
Features

- SUS304 stainless steel housing
- Bi-directional tripod turnstile with arm drop function
- LED pictograms for intuitive user experience and high throughput in both directions
- High quality at an affordable price
- Low power consumption
- Wide range of accessories
- Easy and simple installation process
- Easy to maintain and monitor

Specifications

Power requirements		AC110V/220V, 50/60Hz
Power consumption	Starting	73W
	Standby	20W
	Unlock	63W
Working temperature		-28 °C - 60 °C
Working humidity		5%-80%
Working environment		Indoor/Outdoor(if sheltered)
Speed of throughput	RFID	Maximum 30/minute
	Fingerprint	Maximum 25/minute
Lane width(mm)		505
Footprint(mm*mm)		785*1110
Dimension(mm)		L=1110, W=280, H=987
Dimension with packing(mm)		L=1175, W=370, H=1070
Net weight(kg)		42
Weight with packing(kg)		48
LED indicator		Y
Cabinet material		SUS304 Stainless Steel
Lid material		SUS304 Stainless Steel
Barrier material		SUS304 Stainless Steel
Barrier movement		Rotation
Emergency mode		Y
Security level		Medium
Mean cycles between failure (MCBF)		1 million
Options/Accessories		Counter, SUS316 Cabinet and Lid, Remote Control

Dimensions (mm)



V1.1 2020.01.06